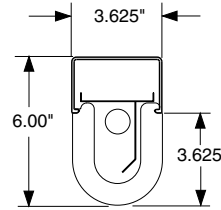


GD36AD Ovalux Series
Stacklite
Asymmetric Direct Illumination



1 x T8 ASYM



Construction

Housing: Extruded aluminum body 3.625" wide x 6" high, 6063T5, 0.093" minimum thickness. Available in one piece, unbroken lengths up to 12'.

Joiner System: Automatic alignment, no loose parts, one tool to tighten two factory installed bolts for a hairline seam. No light leaks.

Ballast: Osram - Sylvania or equal instant start electronic ballast with less than 20% THD is standard: **EBL**. For electronic rapid start specify **ERS**. For ballast with less than 10% THD specify **LH** in the Options field.

Mounting and Feed: **SF** direct to surface mounting system.

Electrical

UL listed wiring and components throughout. Housing is completely wired with quick-connect plugs at all mating joints and individually tested. No fixture disassembly and no field wiring is required to install rows.

All fixtures bear UL & CUL Dry Location labels. Damp Location labels are available. Specify **DL** in the Options field.

Optical Performance

Reflectors: 87% reflectance white painted aluminum.

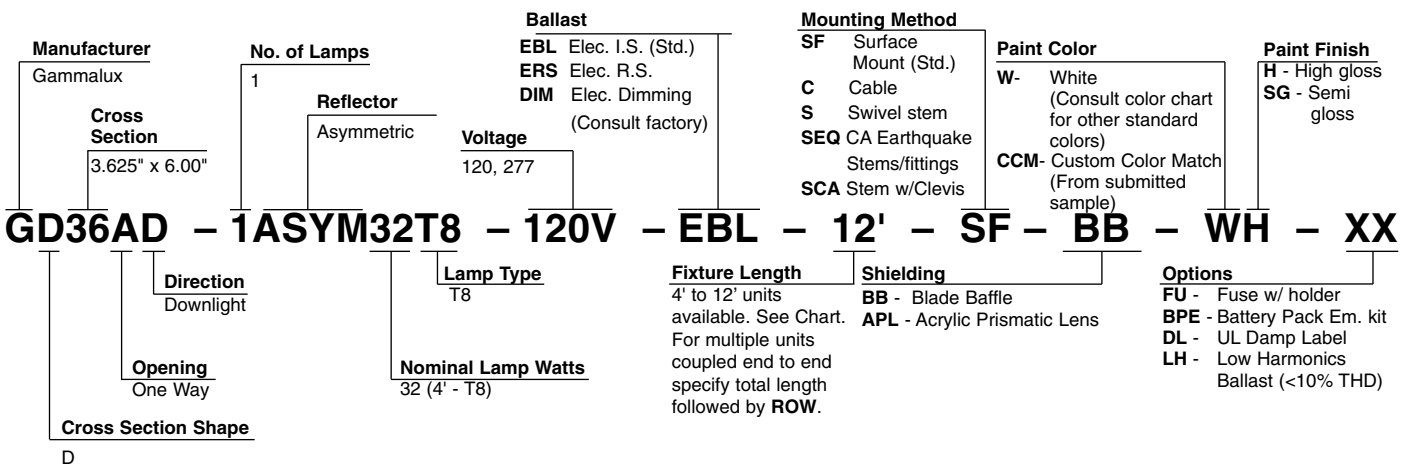
Acrylic Prismatic Lens: Specify **APL** for optional 0.093" clear acrylic prismatic lens.

Blade Baffle: Specify **BB** for optional blade baffle.

Finish

Housing assembly is electrostatically sprayed with high solids aliphatic two component polyurethane to an average thickness of 2 mils. over acid etching primer. Specify **H** for high gloss in Paint Finish field. Specify **SG** for semi gloss.

Standard Features



Mounting Dimensions

For individual and continuous rows of luminaires with direct to surface mounting.

